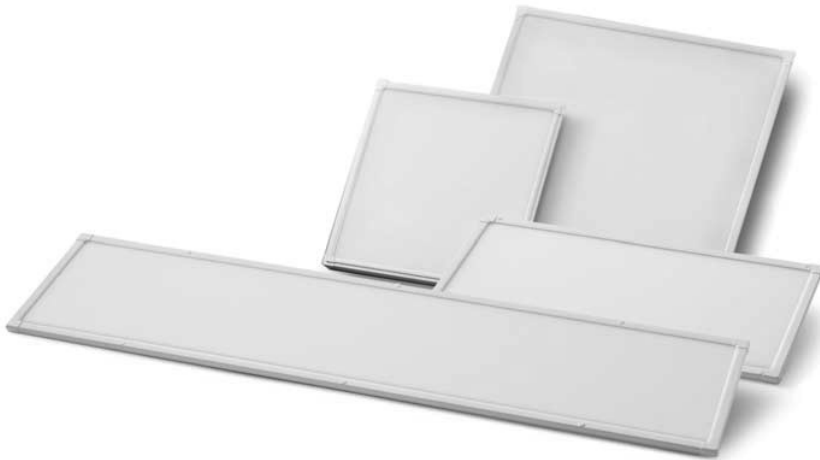


# Flat panel LED Light Ultra-slim(edge) flat panel LED Light

40W 50W

- Ultra slim and light, environmentally friendly, highly efficient LED lighting
- Use high quality laser engraving LGP(Light guide panel) with embossing pattern
- Broad light emitting surface minimizing the thickness of bezel
- Slim & simple design with 13.5mm thickness
- High performance and high luminous efficacy above 90lm/W
- Easy installation and replacement at any circumstance with basically over sized design
- Patented structure for insulation of withstand voltage for product safety and reliability
- Patented structure for pendent connection
- Patented structure for clip bar connection
- Perfectly sealed structure from dust and insect / Optional choice for dimming control



Certification



Effect

(12hours per day for a year)

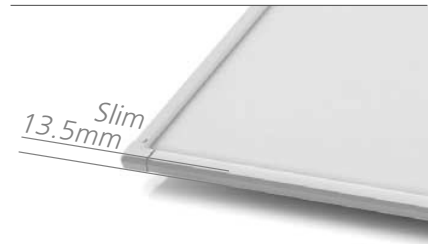


Traditional fluorescent light 96W  
vs  
Ultra-slim(edge) LED light 40W

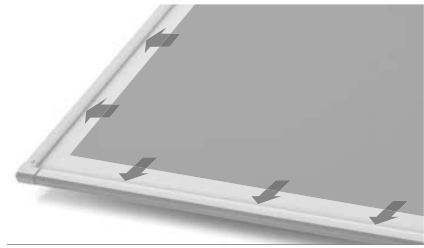
58% + 245kW

Traditional fluorescent light 165W  
vs  
Ultra-slim(edge) LED light 50W

69% + 503kW



Slim design with 13.5mm thickness



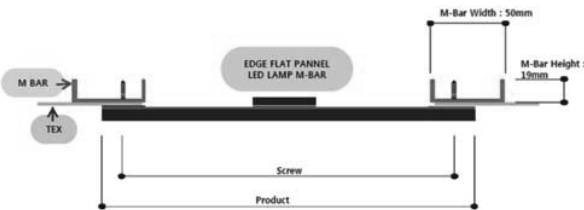
Broad light emitting surface Minimizing the thickness of bezel

## Application



Specification

Product NO.	VOLTAGE (v)	WATT (w)	KELVIN (k)	SIZE (mm)	BASE	CRI	BEAM ANGLE	LUX 1M	LUX 2M	LUMEN (lm)	EFFICIENCY (lm/W)
FPLEW50133-GDW-M				1300*330							
FPLEW50123-GDW-M		50		1260*310				1,658	414	4,585	91.7
FPLEW50123-GDW-C				1200*300							
FPLEW50123-GDW-T	AC 100-260		5700	1198*298	-	>85	140				
FPLEW40133-GDW-M				1300*330							
FPLEW40123-GDW-M		40		1260*310				1,312	328	3,808	95.2
FPLEW40123-GDW-C				1200*300							
FPLEW40123-GDW-T				1198*298							

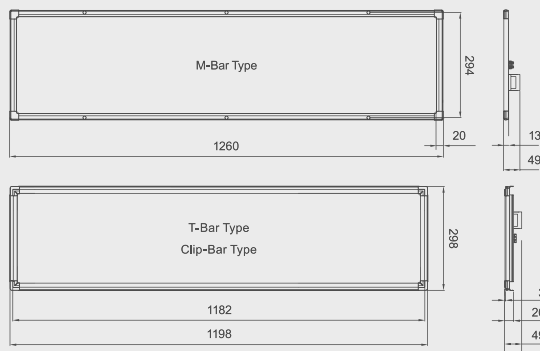


**M-Bar** is a type that you should lock BOLT outside a structure.



**T-Bar** is a type that should be put on a structure.

Dimension



Photometric Data

